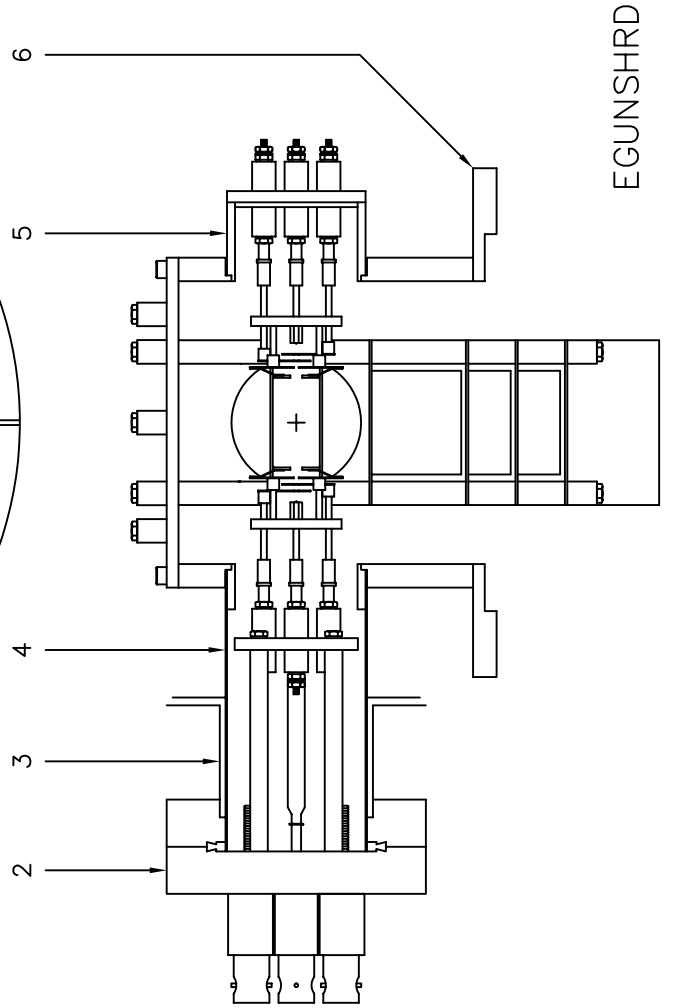
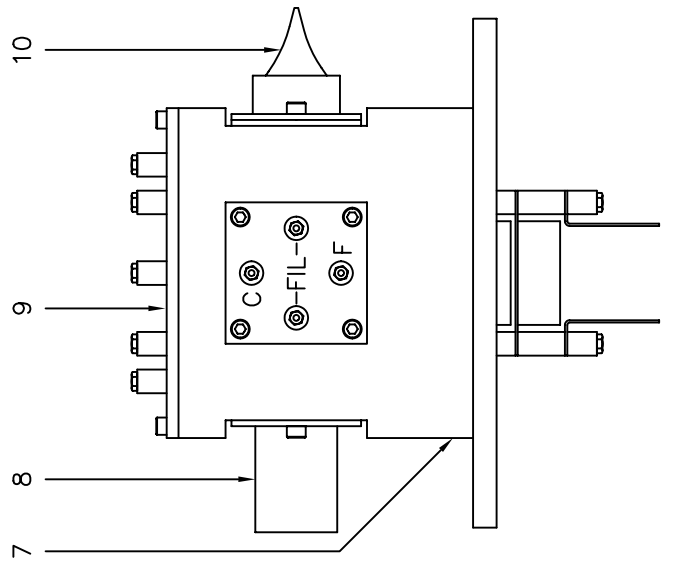
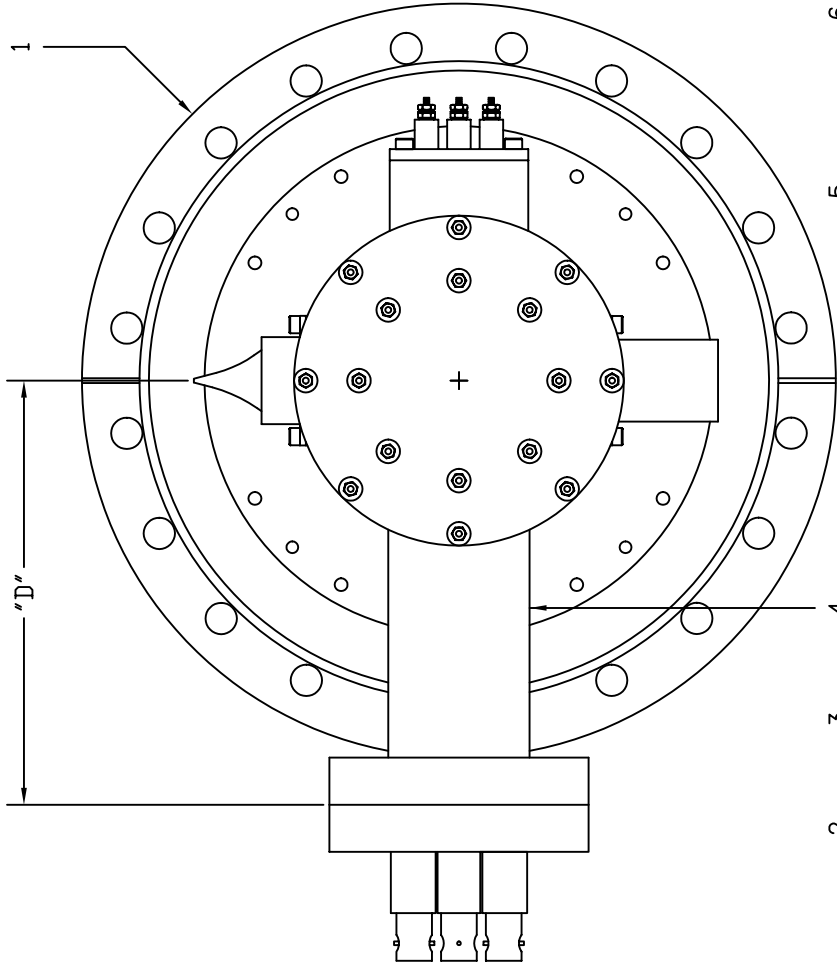
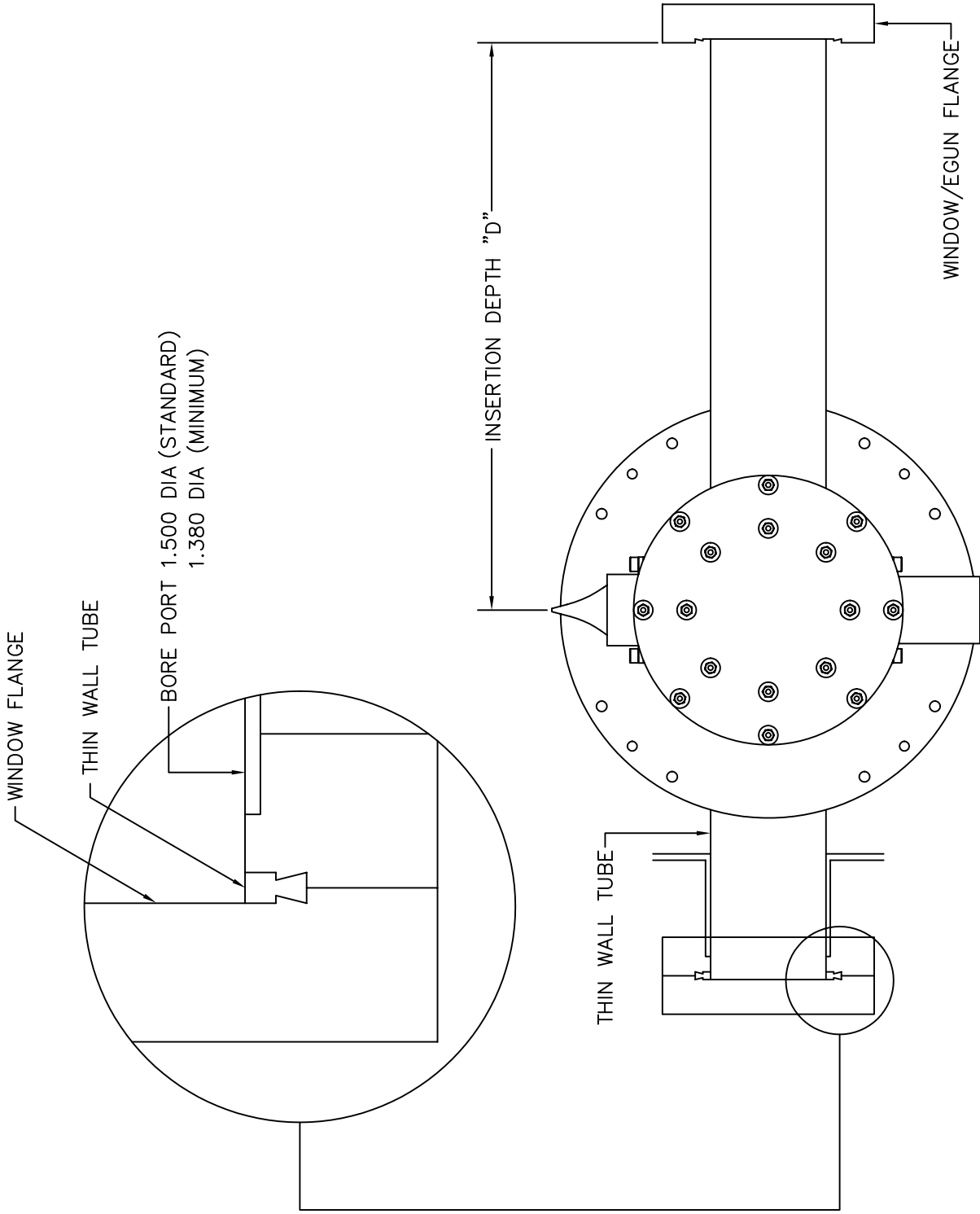


- 1 8.0CF FLANGE
- 2 PORT MOUNTED EGUN
- 3 CHAMBER WALL
- 4 THIN WALL TUBE
- 5 SHROUD MOUNTED EGUN
- 6 MOUNTING RING
- 7 SHROUD BODY
- 8 BEAM DUMP
- 9 SHROUD END CAP
- 10 SKIMMER



EGUNSHRD



EGUNSHRD