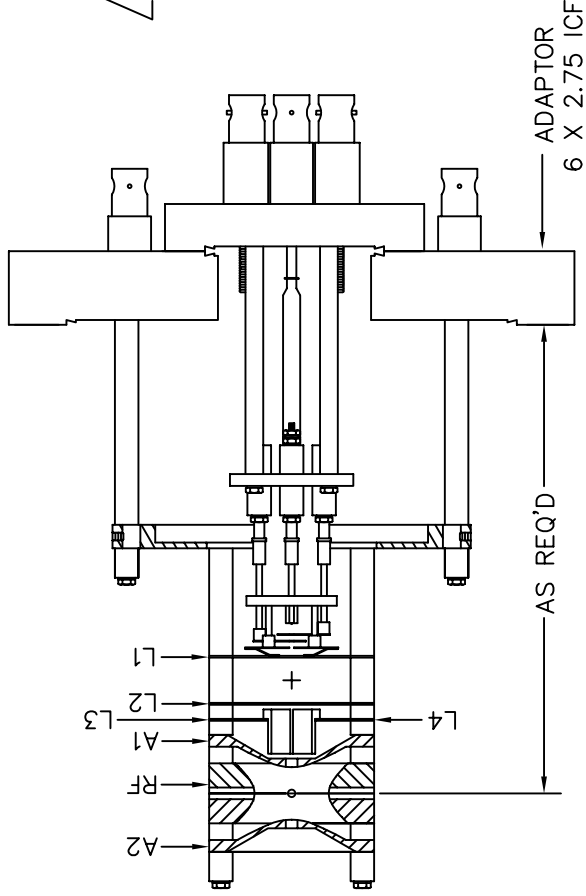
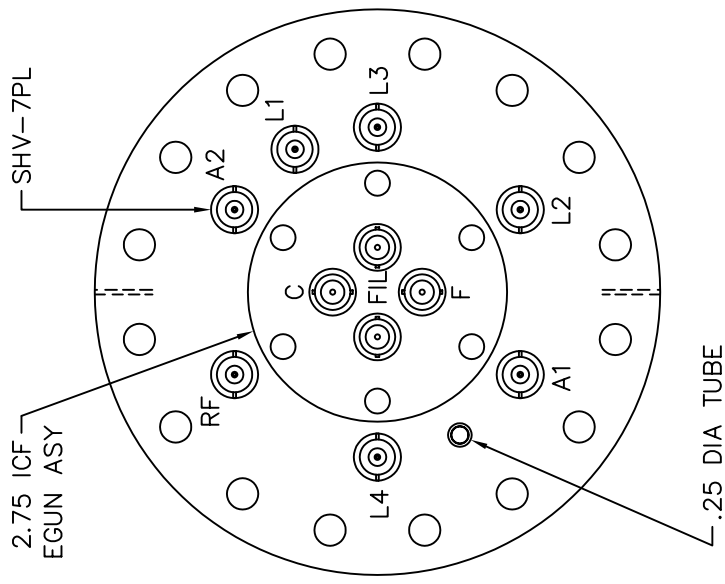
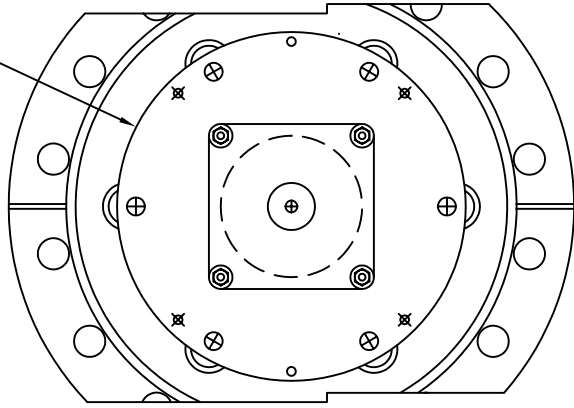
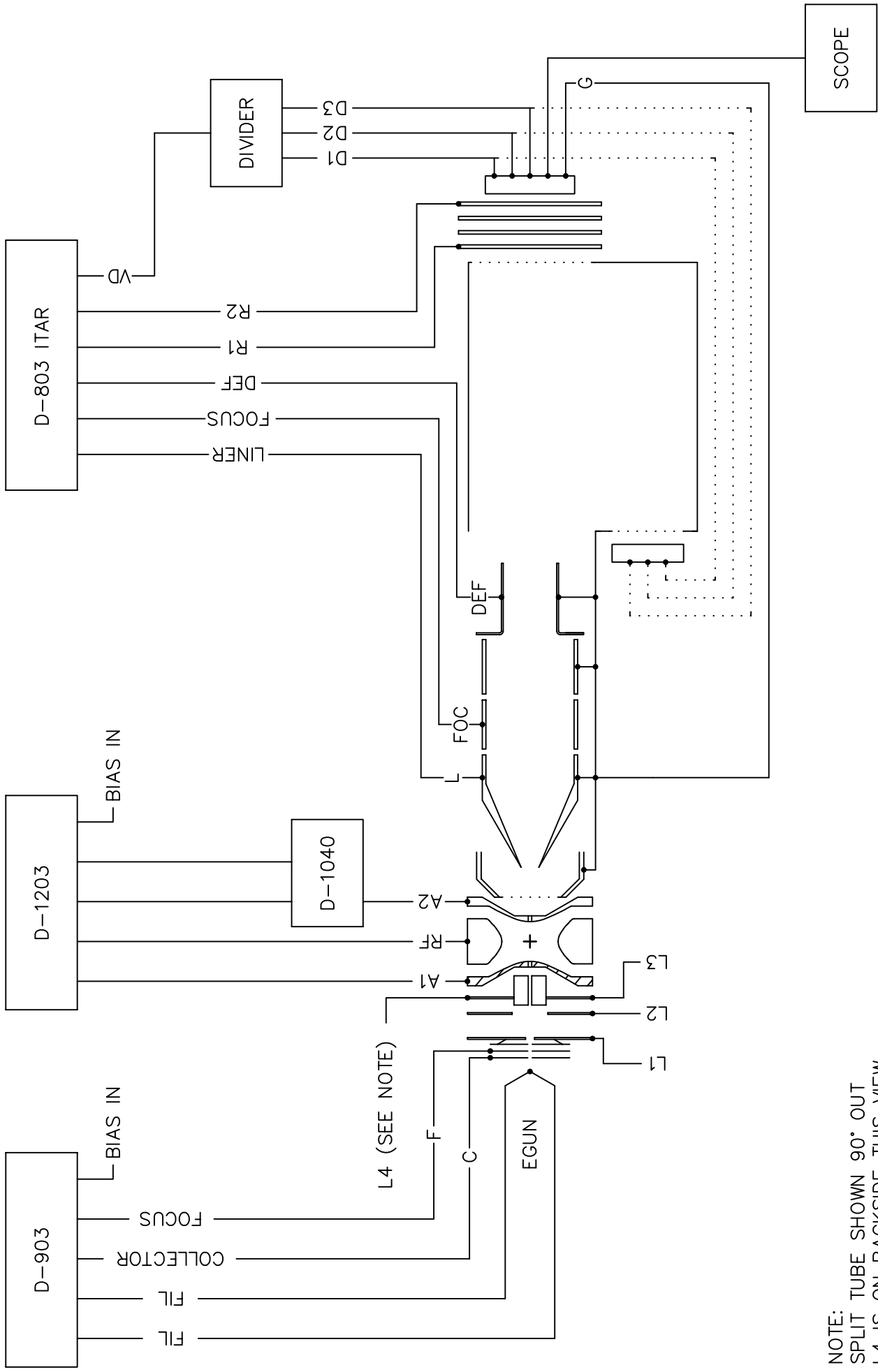


B-0678 (3.70" DIA.)



NOTES:
 L1 = .50 DIA GRID
 L2 = .50 DIA APERTURE
 ADD 2 HOLES TO B0678

ION TRAP/EGUN ASSEMBLY
 JORDAN TOF PRODUCTS, INC.
 Grass Valley, CA
 ITEGUN
 (C-1550)



NOTE: TUBE SHOWN 90° OUT
 SPLIT TUBE SHOWN 90° OUT
 L4 IS ON BACKSIDE THIS VIEW

EGUN/ION TRAP OPERATION
 D1203/POSITIVE ION/DUAL DETECTOR
 WIRING15 MOD
 REV 6-26-07