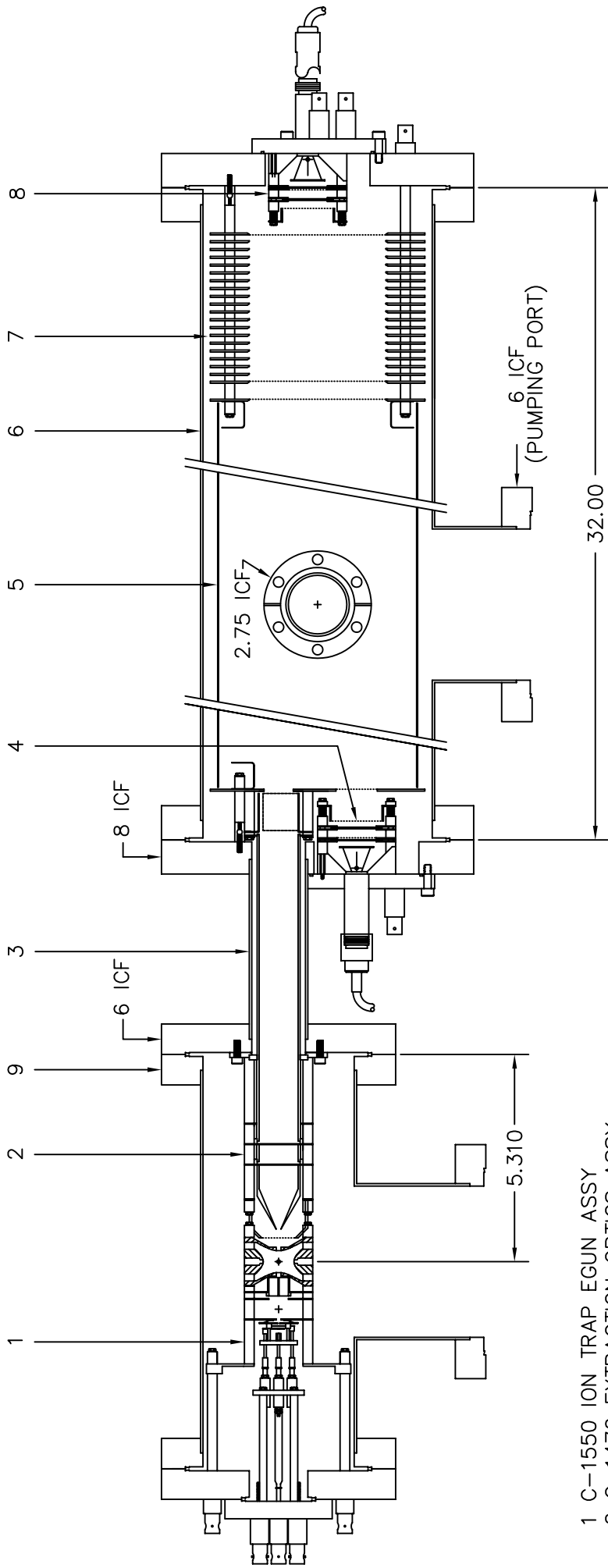


- 1 C-1251 ION TRAP
- 2 C-1470 EXTRACTION OPTICS ASSY
- 3 C-1454 OFFSET ADAPTOR ASSY
- 4 C-2501Z 25MM Z-GAP MCP DETECTOR
- 5 C-1479 FLIGHT TUBE LINER/SHIELD
- 6 C-1455 FLIGHT TUBE WITH 6.0CF AND 2.75CF PORTS
- 7 C-1452 REFLECTOR ASSY
- 8 C-2501Z (SAME AS #4)
- 9 TEST CHAMBER/CROSS (USER SUPPLIED)

ION TRAP/ANGULAR REFLECTRON ASSEMBLY
 (SMALL GEOMETRY)
 JORDAN TOF PRODUCTS, INC.
 Grass Valley, CA
 D1450 REV 9-1-18

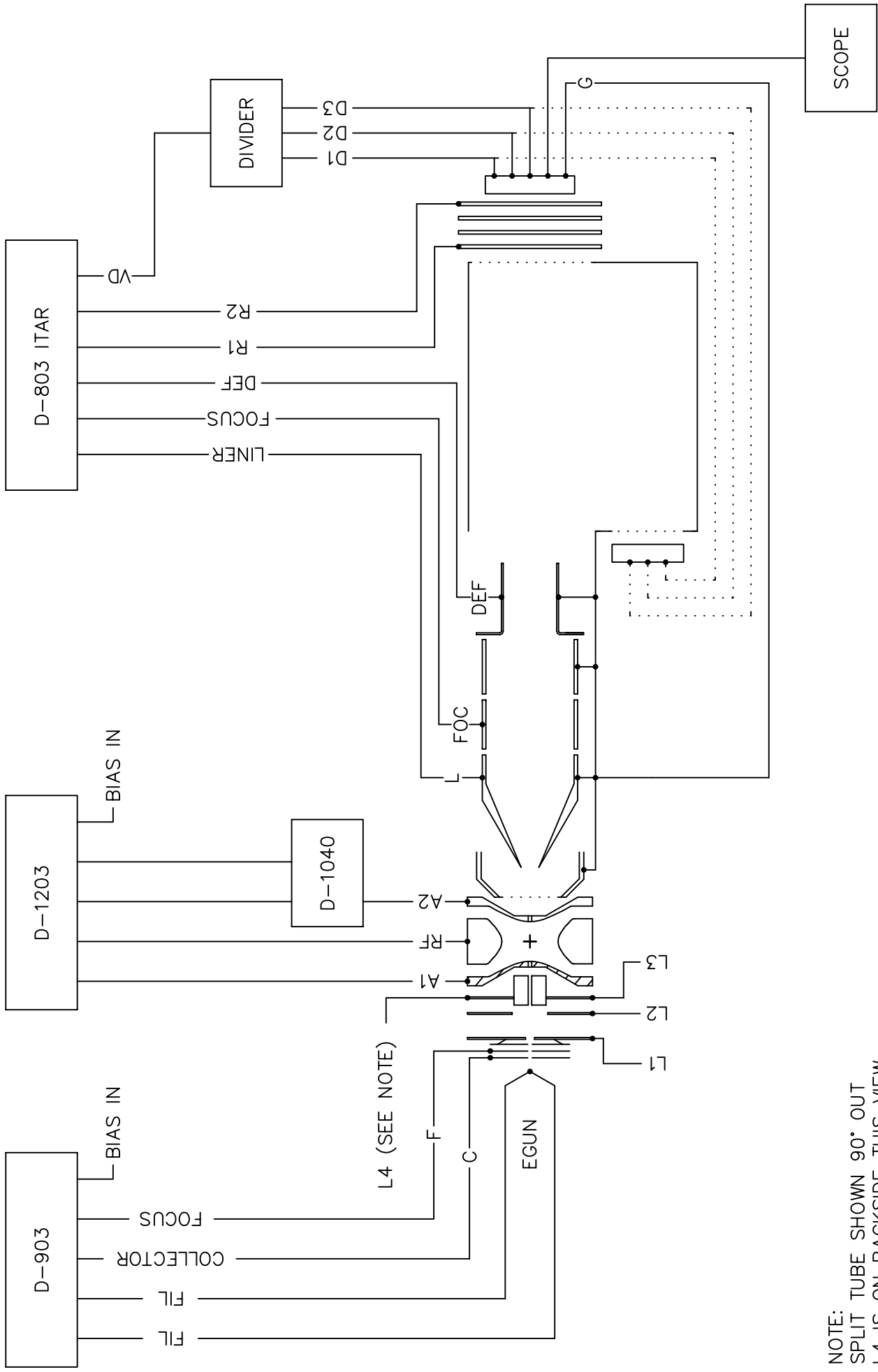


- 1 C-1550 ION TRAP EGUN ASSY
- 2 C-1470 EXTRACTION OPTICS ASSY
- 3 C-1454 OFFSET ADAPTOR ASSY
- 4 C-2501Z 25MM Z-GAP MCP DETECTOR
- 5 C-1479 FLIGHT TUBE LINER/SHIELD
- 6 C-1455 FLIGHT TUBE WITH 6.0CF AND 2.75CF PORTS
- 7 C-1452 REFLECTOR ASSY
- 8 C-2501Z (SAME AS #4)
- 9 TEST CHAMBER/CROSS (USER SUPPLIED)

ION TRAP/EGUN/ANGULAR REFLECTRON ASSEMBLY
 (SMALL GEOMETRY)

JORDAN TOF PRODUCTS, INC.
 Grass Valley, CA

D1450 REV 9-1-18



NOTE: SPLIT TUBE SHOWN 90° OUT
 L4 IS ON BACKSIDE THIS VIEW

EGUN/ION TRAP OPERATION
 D1203/POSITIVE ION/DUAL DETECTOR
 WIRING15 MOD
 REV 6-26-07