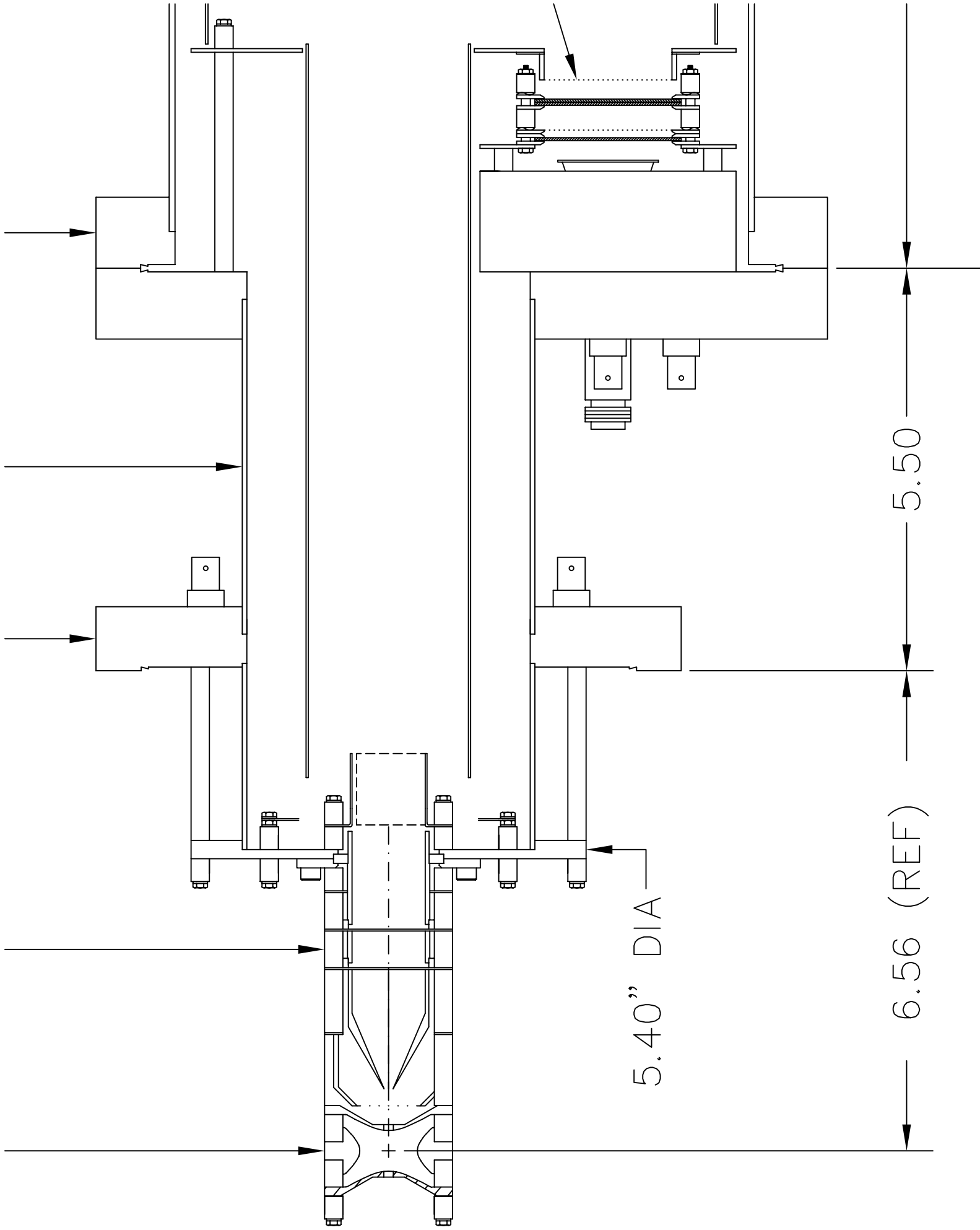


- 1. C-1251 QUADRUPOLE ION TRAP
- 2. C-1470 ION EXTRACTION OPTICS & DEFLECTION ASSY
- 3. 8 ICF (ROT) SOURCE MOUNTING FLANGE
- 4. C-854 OFFSET ADAPTOR
- 5. 10 ICF FLANGE
- 6. C-726Z 40MM MCP Z-GAP DETECTOR ASSY.
- 7. D-679 FLIGHT TUBE LINER/SHIELD
- 8. C-855 FLIGHT TUBE ASSY.
- 9. C-852 REFLECTOR ASSY.
- 10. C-701 18MM MCP DUAL DETECTOR ASSY.

ION TRAP ANGULAR REFLECTRON
 JORDAN TOF PRODUCTS, INC.

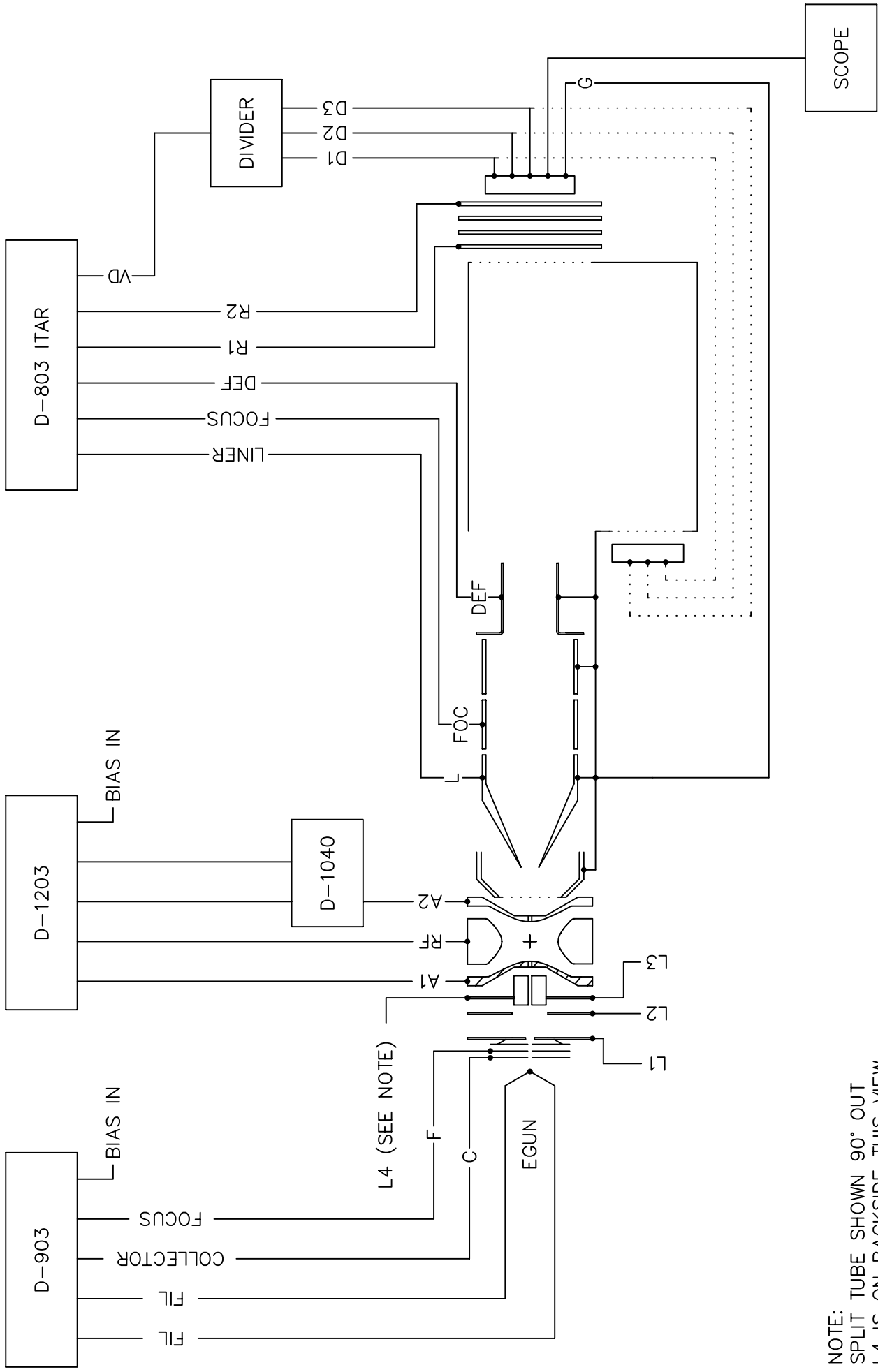
ITAREF
 REV 9/1/18



5.50

6.56 (REF)

5.40" DIA



NOTE: SPLIT TUBE SHOWN 90° OUT
 L4 IS ON BACKSIDE THIS VIEW

EGUN/ION TRAP OPERATION
 D1203/POSITIVE ION/DUAL DETECTOR
 WIRING15 MOD
 REV 6-26-07