

JORDAN TOF PRODUCTS, INC.

990 Golden Gate Terrace , Grass Valley, CA 95945

530-272-4580 / 530-272-2955 [fax]

www.rmjordan.com [web]

info@rmjordan.com [e-mail]

C0701 18MM DUAL MICROCHANNEL PLATE DETECTOR

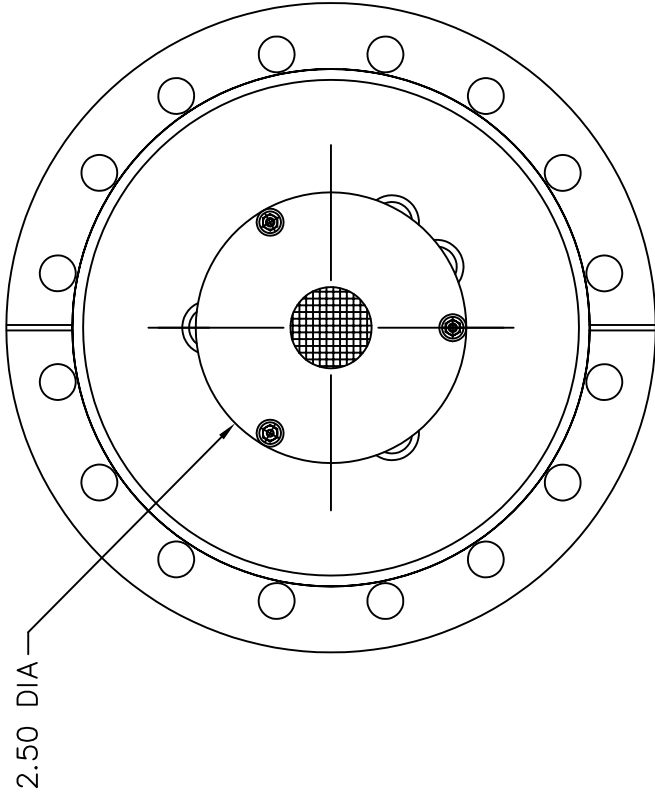
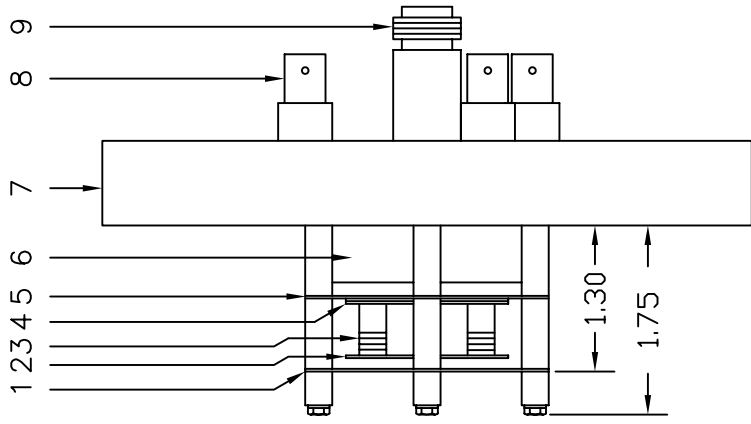
Designed to handle the fast ion pulses provided by the Time of Flight Mass Spectrometer. The MCP Detector has 50 ohm output and provides high gain (10^7 to 10^8) with sub-nanosecond rise time.

The MCP Detector is fitted with a 0.8" diameter input grid. The 2.5" diameter grid mounting plate presents a flat, field free plane to the incoming ions. It also acts as a shield to prevent the high voltages used in the detector from distorting the electrical fields at its input. It can be operated at ground or elevated potential as required.

Two microchannel plates are used. Replacement plates are available from Jordan TOF Products, or a number of other vendors.

Materials of construction are 304 Stainless Steel, Nickel, Aluminum and Alumina. The stack is held in place by the uniform pressure of compression springs. This protects the plates from damage due to thermal changes and, to a limited extent, mechanical shock.

MCP Detectors are shipped mounted on a 6" CONFLAT flange, baked and pinched off in its own vacuum housing. A 4.5" CONFLAT mounting is available upon request.

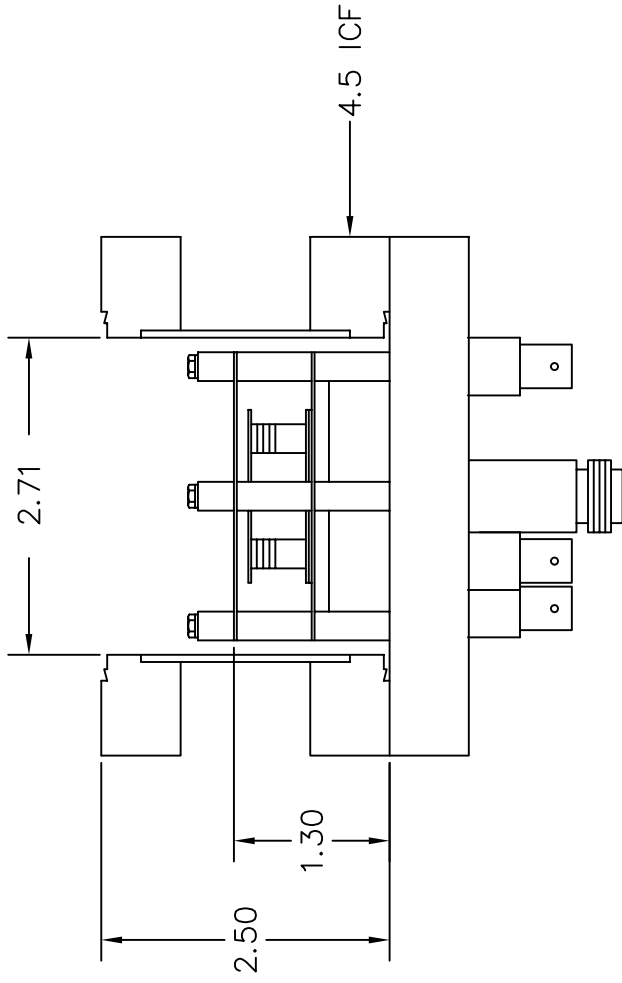
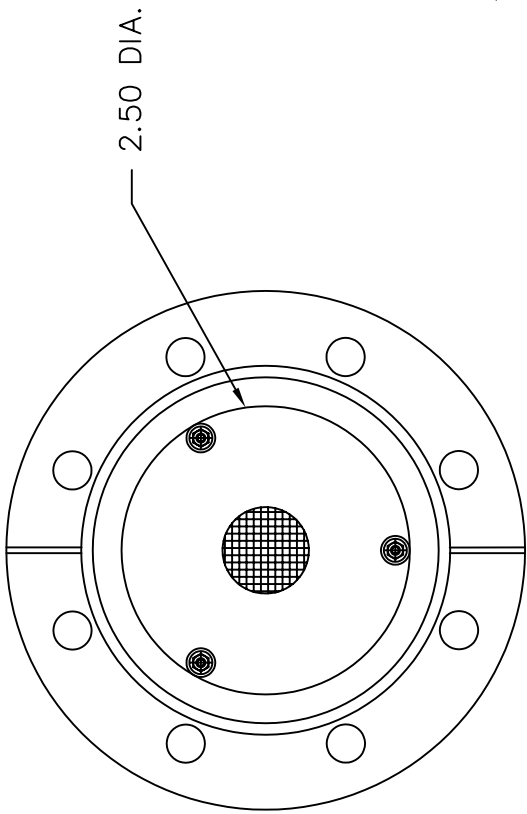


- 1 - 1 GROUND /SHIELD GRID
- 2 - 1 SPRING CAP B0710
- 3 - 3 SPRING
- 4 - 1 CHANNEL PLATE STACK ASSEMBLY (2-748)
- 5 - 1 BASE PLATE B0706
- 6 - 1 ANODE SHIELD B0703
- 7 - 6.0CF FLANGE
- 8 - 4 SHV FEEDTHROUGH
- 9 - 1 50 OHM FEEDTHROUGH

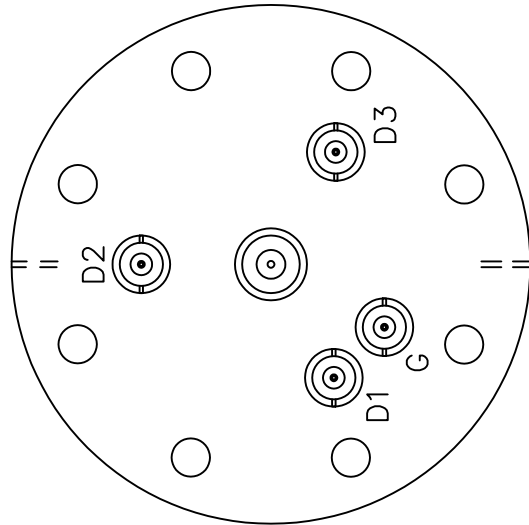
CHANNEL PLATE DETECTOR
 JORDAN TOF PRODUCTS, INC.
 Grass Valley, CA
 C0701 REV 11-4-13

REVISION
 2 CHG FEEDTHRU TO SHV7&
 ADD FOURTH FEEDTHRU

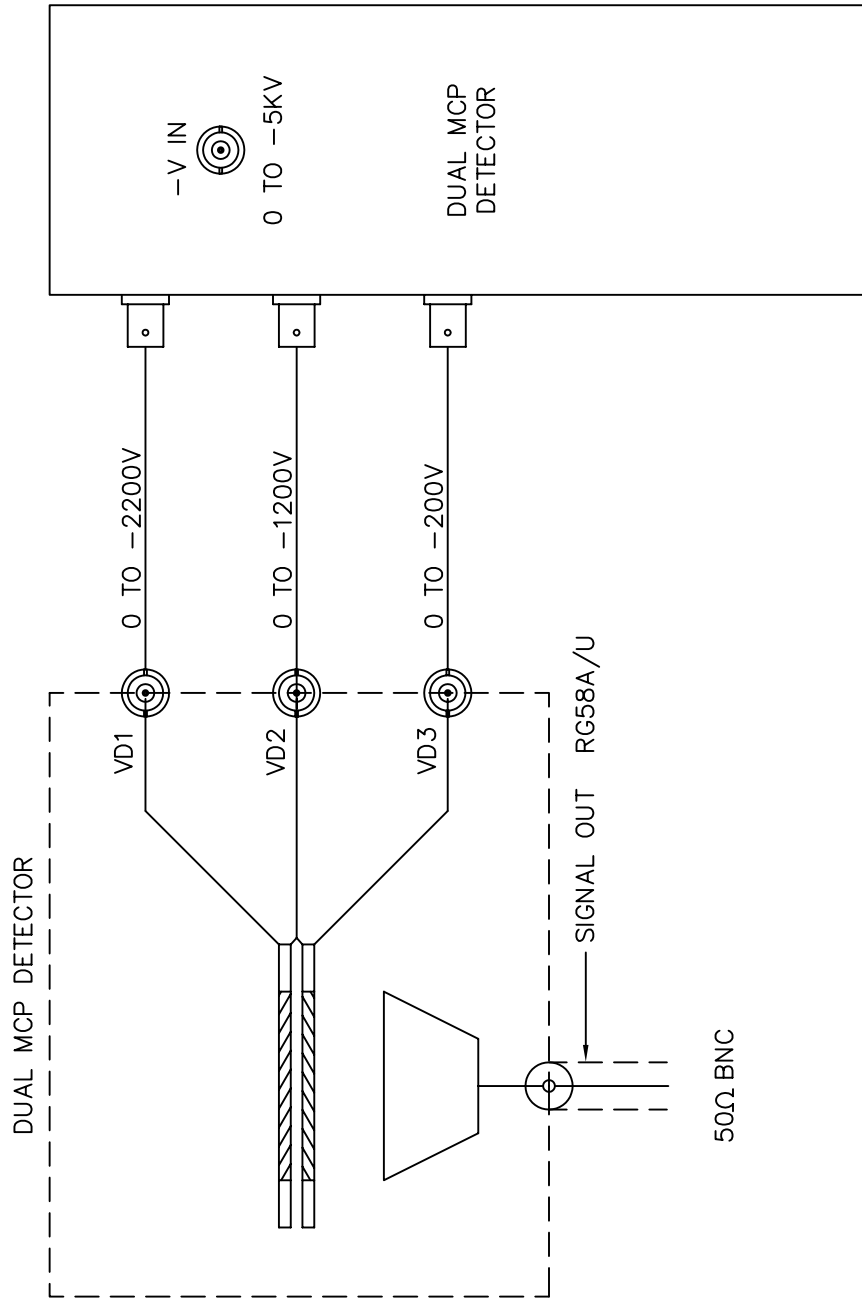
DATE
 9-9-93



OPTIONAL ADAPTOR
FOR 2.875 DIA TO 2.5 DIA TUBE



CHANNEL PLATE DETECTOR
JORDAN TOF PRODUCTS, INC.
Grass Valley, CA
18MMX45STD



WIRING DIAGRAM/DUAL MCP DETECTOR
 JORDAN TOF PRODUCTS, INC.
 Grass Valley, CA



DualPosWithCables.jpg