

JORDAN TOF PRODUCTS, INC.

990 Golden Gate Terrace , Grass Valley, CA 95945
530-272-4580 / 530-272-2955 [fax]
www.rmjordan.com [web]
info@rmjordan.com [e-mail]

40MM DUAL MICROCHANNEL PLATE DETECTOR C-726

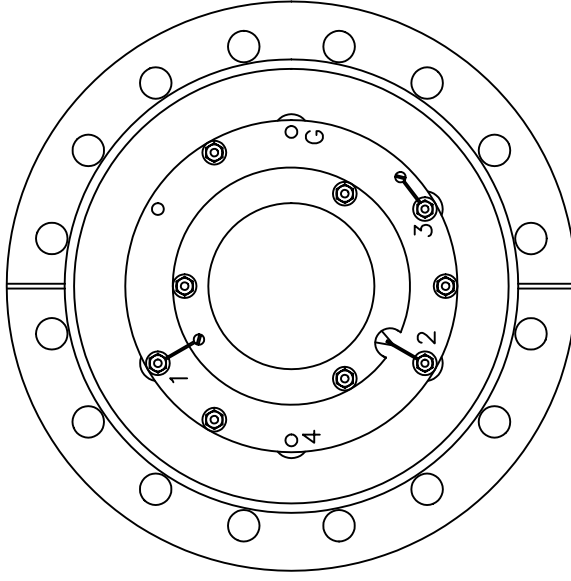
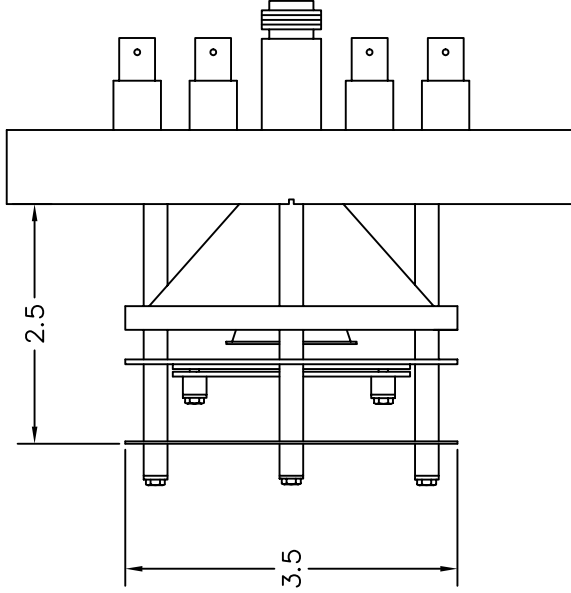
Designed to handle the fast ion pulses provided by the Angular Reflectron TOF Mass Spectrometer. The 40mm Detector mounted on the Offset Adaptor (C-854) has 50 ohm output and provides high gain (10^6 to 10^7) with sub-nanosecond rise time.

The MCP Detector is fitted with an input grid. This presents a flat, field free plane to the incoming ions. It can be operated at ground or elevated potential as required. Two microchannel plates are used. Special configurations are available which use three plates for increased sensitivity.

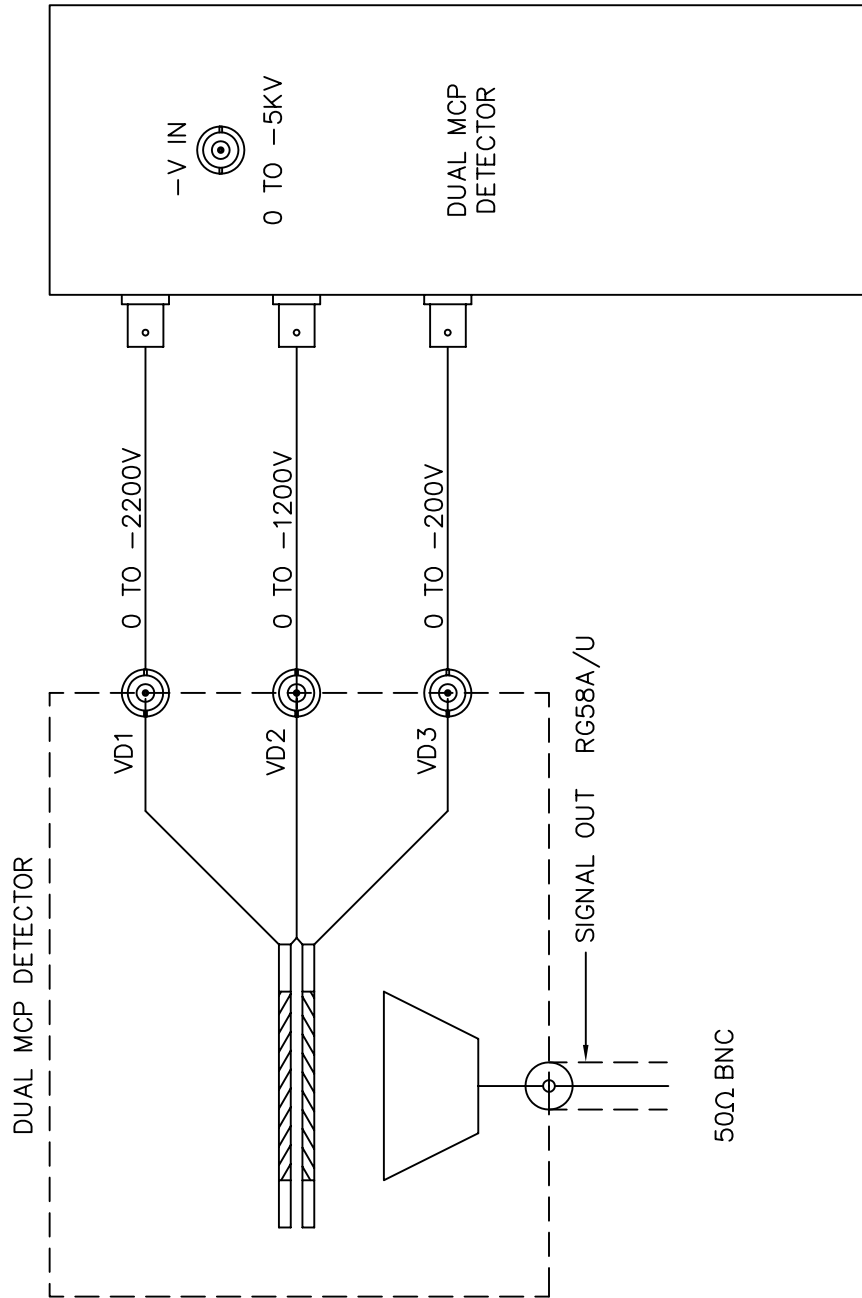
If not utilized in the Reflectron configuration, 40mm MCP Detectors can be mounted on a 6 inch or larger CONFLAT flange, baked and pinched off in it's own vacuum housing.

For use in special applications it can be built in triple MCP and other configuration .

Materials of construction are 304 Stainless Steel, Nickel, Aluminum and Alumina.



DETECTOR, 40MM, 6" ICF
JORDAN TOF PRODUCTS, INC.
Grass Valley, CA
40mmX6



WIRING DIAGRAM/DUAL MCP DETECTOR
 JORDAN TOF PRODUCTS, INC.
 Grass Valley, CA



DualPosWithCables.jpg